

FOR CAR USE ONLY/NUR FÜR AUTOMOBILGEBRAUCH/POUR APPLICATION AUTOMOBILE
UNIQUEMENT/SOLO PARA USO EN AUTOMÓVILES/PER IL SOLO UTILIZZO IN AUTOMOBILE

ALPINE®

Premium Infotainment System
X902D-F + KIT-902-FT
Freestyle



Installation Manual
Einbauanleitung
Manuel d'installation
Manual de instalación
Manuale di installazione

EN

DE

FR

ES

IT

①



②



③



④



⑤



⑥



⑦



⑧



9



10

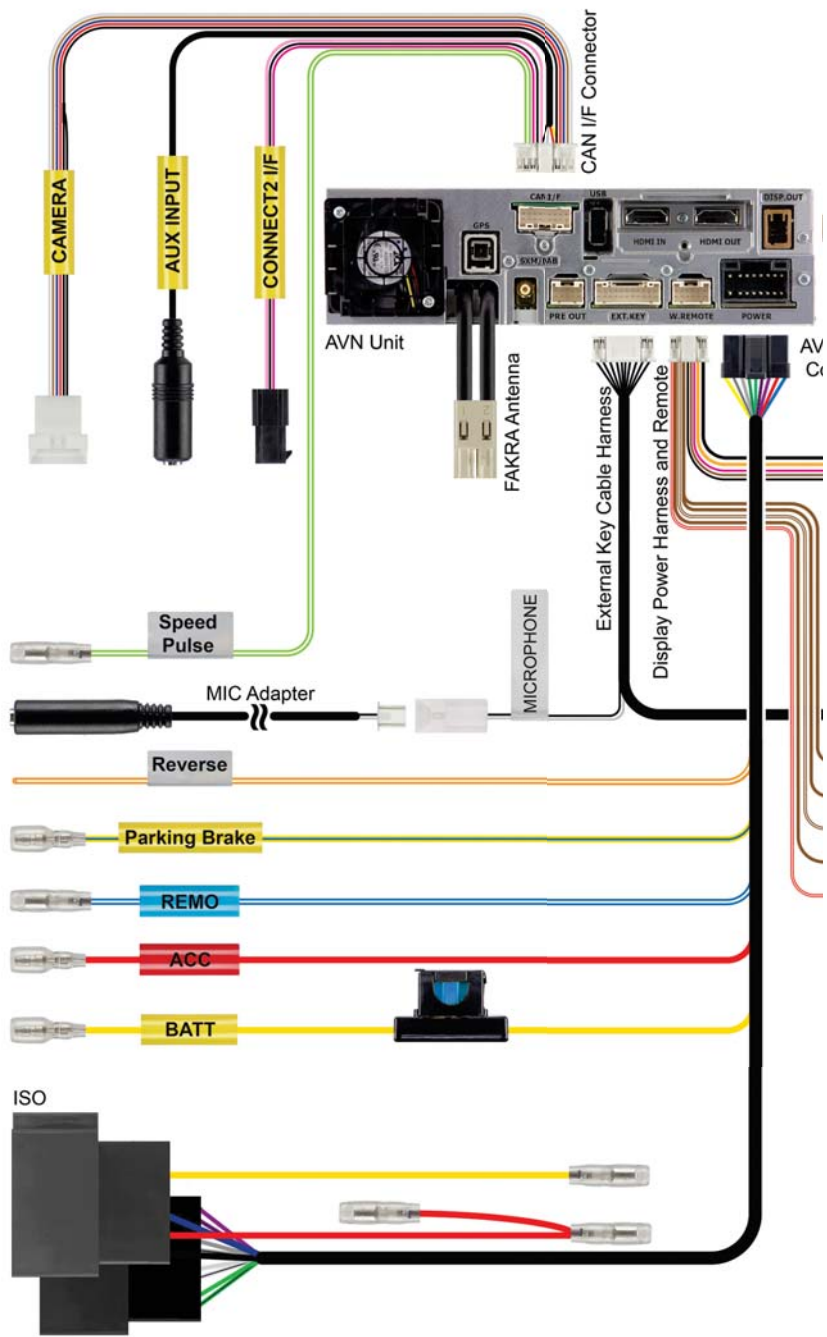


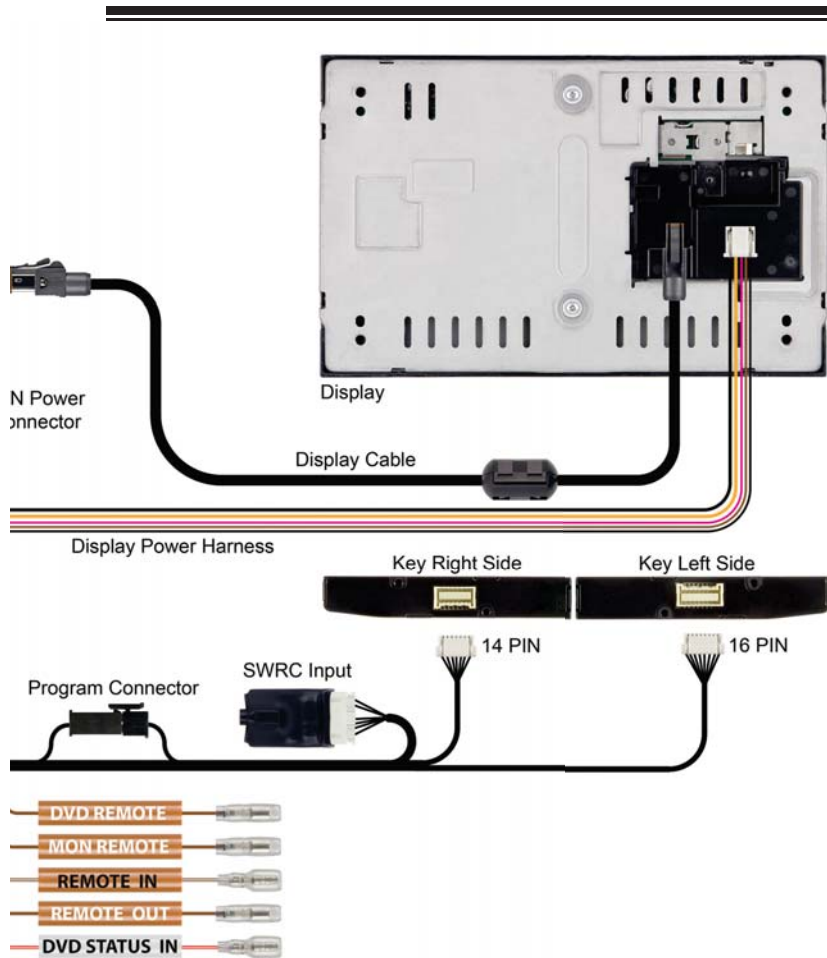
11



12







**Connections/
Anschlüsse/
Raccordements/
Conexiones/
Collegamenti**

13



14



15



16



17

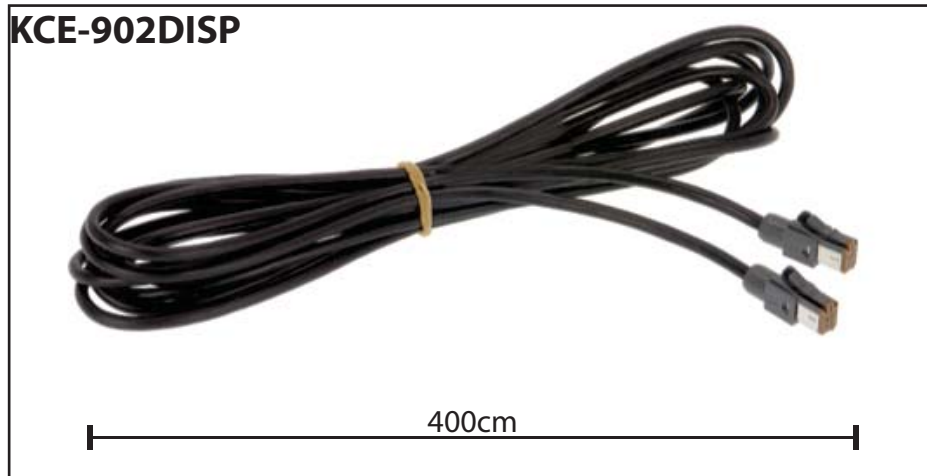


18

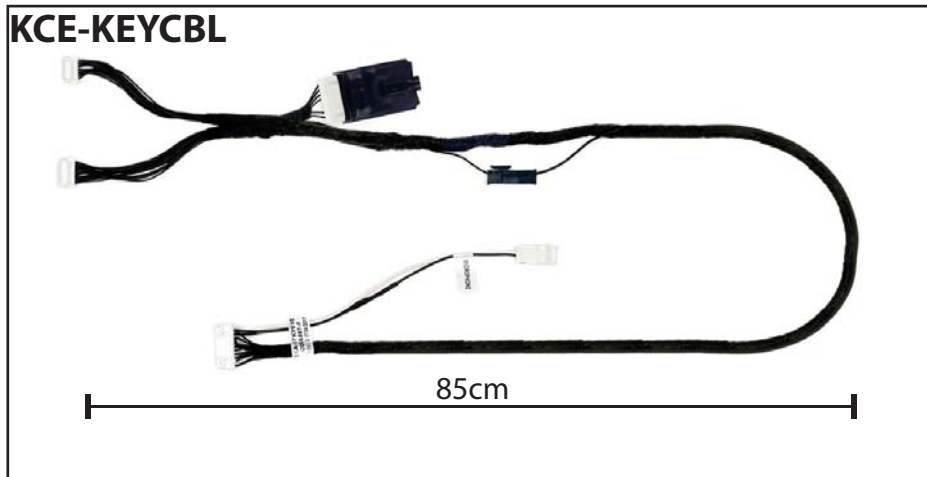


**Optional Accessories/ Optionale Zubehörteile/
Accessoires en option/ Accesorios opcionales/
Accessori Opzionali**

KCE-902DISP



KCE-KEYCBL



IM_KIT-902-FT



Designed by Alpine Electronics (Europe) GmbH
Printed in Italy

**ALPINE ELECTRONICS
MARKETING, INC.**
1-7, Yukigaya-Otsukamachi, Ota-ku,
Tokyo 145-0067, JAPAN
Phone: 03-5499-4531

**ALPINE ELECTRONICS OF
AMERICA, INC.**
19145 Gramercy Place
Torrance, California 90501 U.S.A.
Phone: 1(310)326-8000

**ALPINE ELECTRONICS OF
AUSTRALIA PTY. LTD.**
161-165 Princes Highway, Hallam
Victoria 3803, Australia
Phone: 61 (3)8787-1200

ALPINE ELECTRONICS GmbH
Wilhelm-Wagenfeld-Strasse 1-3,
80807 Munich, Germany
Phone: 49(0)89-324264-0

ALPINE ELECTRONICS OF U.K. LTD.
Alpine House Earlplace Business Park,
Fletchamstead Highway,
Coventry CV4, 9TW, U.K.
Phone: 44-2476-719500

**ALPINE ELECTRONICS FRANCE
S.A.R.L**
184 allée des Erables
CS 52016 - Villepinte
95 945 Roissy CDG cedex, France
Phone: 33 1 48 63 89 89

ALPINE ITALIA S.p.A.
Viale C. Colombo 8,
20090 Trezzano Sul Naviglio (MI), Italy
Phone: 39 (02) 484781

**ALPINE ELECTRONICS DE ESPAÑA,
S.A.**
Portal de Gamarra 36, Pabellón 32
01013 Vitoria (Álava). APDO. 133, Spain
Phone: 34 (945) 283588

**ALPINE ELECTRONICS OF ASIA
PACIFIC CO., LTD**
555 Rasa Tower 1, Unit 2601-2602, 26th
floor
Phaholyothin Road, Chatuchak
Bangkok 10900, Thailand
Phone: 662-937-0505