



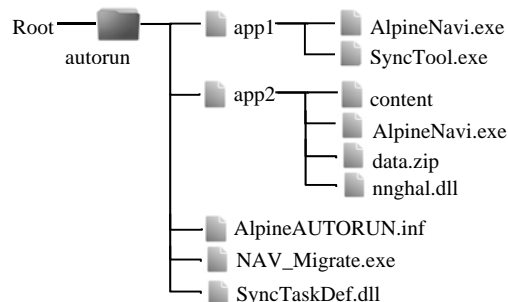
INE-W920R/925R/928R/977BT installation of G500_SD-card_Tool

Update procedure

Requirements

- Windows 7 / 8 / 10
- The installation of the G500_SD-card-Tool must be done by (Micro) SD-card.
- INE-W920R/925R requires Micro SD-card with 16 GB capacity or higher.
- INE-W928R/977BT requires SD-card with 16 GB capacity or higher.
- Before starting to update, please check following notes.
- The downloadfile is compressed in zip format. The contents of the download need to be extracted to a freshly formatted (Micro) SD-card (exFAT).

Update file storage place




Update file contents

autorun

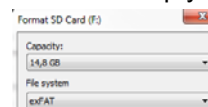
- app1 (approx. 2,86MB)
- app2 (approx 36.1MB)
- AlpineAUTORUN.exe (around 1.0KB)
- NAV_Migrate.exe (approx. 1.32MB)
- SyncTaskDef.dell (approx. 0.398MB)

Notes

- 1) Do NOT use the compressed file for update, otherwise the Alpine unit cannot recognize the files.
 - 2) Do NOT change folder name and file names, otherwise the Alpine unit cannot recognize the files.
 - 3) Do NOT put **autorun** folder into another folder.
 - 4) Do NOT store any other folders/files on the SD card.
 - 5) Do NOT remove the SD card while updating.
 - 6) Do NOT update while driving.
 - 7) Do NOT press any buttons while updating.
 - 8) Do NOT turn off vehicle's ignition or head unit's power switch while updating.
Modern vehicles will shut down the ignition (ACC) after some time if the engine is not running.
-  If you are not sure if this applies to your car and it is safe to do so, leave the engine idling while the update is in progress.

Installation of G500_SD-card_Tool

- 1) Download the file (G500_SD-card_Tool) to your PC.
- 2) Insert an empty and exFAT formatted (Micro) SD-card into your PC.



- 3) Unzip the file to your SD-card (i.e. by using WinZip / 7z / IZArc). The folder "autorun" has to be shown on the directory of your SD-card.



- 4) Remove the SD-card by "Safely Remove Hardware and Eject Media" function.
- 5) Turn on your Alpine device by turning on the ignition (please consider Note 8) and select "Navigation" as source. A map screen will get displayed.



- 6) Insert the (Micro) SD-card into the Alpine device.
- 7) The "G500_SD-card_Tool" starts automatically. Please wait until the update screen is displayed. The update takes about 45 minutes (please consider Note 8).
- 8) The update is finished after the G500 has restarted. The Alpine unit shows a map screen. The navigation function is working now from (Micro) SD-card.



- 9) PLEASE NOTE: the (Micro) SD-card has to remain in the SD slot!

